

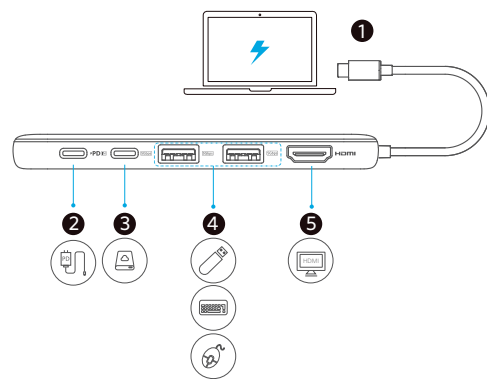
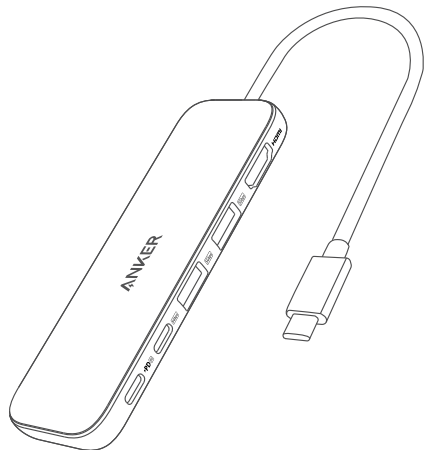


Charge Fast, Live More

At a Glance

DE: Auf einen Blick | ES: Vista general | FR: Récapitulatif
IT: Descrizione del prodotto | PT: Vista geral | RU: Краткий обзор
TR: Genel Bakış | JP: 外観 | KO: 요약 | 簡中: 概覽 | 繁中: 概觀

AR: نظرة سريعة



1. USB-C Connector	Plug into a laptop's USB-C port
2. PD-IN Port	Connect to a 100W Power Delivery charger(not included) to provide up to 85W pass-through charging to a laptop
3. USB-C Port	5 Gbps data transfer
4. USB-A Port	5 Gbps data transfer
5. HDMI Port	Up to 4K@30Hz

Anker 332 USB-C Hub (5-in-1) USER MANUAL

DE

1. USB-C-Stecker	An den USB-C-Anschluss eines Laptops anschließen
2. PD-IN-Anschluss	Durch Anschluss des Laptops an ein 100-W-Power-Delivery-Ladegerät (nicht im Lieferumfang enthalten) ist eine Durchgangsladung von bis zu 85 W möglich
3. USB-C-Anschluss	5 Gbit/s Datenübertragung
4. USB-A-Anschluss	5 Gbit/s Datenübertragung
5. HDMI-Anschluss	Bis zu 4 K bei 30 Hz

ES

1. Conector USB-C	Conectar a al puerto USB-C de un portátil
2. Puerto PD-IN	Conéctese a un cargador Power Delivery de 100 W (no incluido) para proporcionar hasta 85 W de transferencia de carga a un portátil
3. Puerto USB-C	Transferencia de datos de 5 Gbps
4. Puerto USB-A	Transferencia de datos de 5 Gbps
5. Puerto HDMI	Hasta 4K @ 30 Hz

FR

1. Connecteur USB-C	Branchement sur un port USB-C d'un ordinateur portable
2. Port PD-IN	Connectez-vous à un chargeur Power Delivery de 100 W (non inclus) pour fournir jusqu'à 85 W de charge directe à un ordinateur portable
3. Port USB-C	Transfert de donnée à 5 Gbit/s
4. Port USB-A	Transfert de donnée à 5 Gbit/s
5. Port HDMI	Jusqu'à 4K@30Hz

IT

1. Connettore USB-C	Collegalo alla porta USB-C di un computer laptop
2. Porta PD-IN	Collegalo a un caricabatterie Power Delivery da 100 W (non incluso) per fornire una ricarica pass-through fino a 85 W a un laptop
3. Porta USB-C	Trasferimento dati a 5 Gb/s
4. Porta USB-A	Trasferimento dati a 5 Gb/s
5. Porta HDMI	Fino a 4K a 30 Hz

PT

1. Conector USB-C	Ligar a uma porta USB-C de um computador portátil
2. Porta de entrada PD-IN	Ligar a um carregador Power Delivery de 100 W (não incluído) para fornecer até 85 W de carregamento pass-through para um computador portátil
3. Porta USB-C	Transferência de dados de 5 Gbps
4. Porta USB-A	Transferência de dados de 5 Gbps
5. Porta HDMI	Até 4K@30 Hz

RU

1. Разъем USB-C	Подключите к порту USB-C ноутбука
2. Порт PD-IN	Подключите зарядное устройство мощностью 100 Вт (не входит в комплект) для сквозной зарядки ноутбука (до 85 Вт).
3. Порт USB-C	Передача данных со скоростью 5 Гбит/с
4. Порт USB-A	Передача данных со скоростью 5 Гбит/с
5. Порт HDMI	До 4K при 30 Гц

TR

1. USB-C Konnektörü	Dizüstü bilgisayarın USB-C bağlantı noktasına takın
2. PD-IN Bağlantı Noktası	Dizüstü bilgisayara 85 W'a kadar doğrudan şarj sağlamak için 100 W Power Delivery şarj cihazına (aynı satılır) bağlayın
3. USB-C Bağlantı Noktası	5 Gb/sn veri aktarımı
4. USB-A Bağlantı Noktası	5 Gb/sn veri aktarımı
5. HDMI Bağlantı Noktası	30 Hz'de 4K'ya kadar

JP

1. USB-C コネクタ	PCのUSB-C ポートに接続
2. USB PD 対応 USB-C 充電ポート	100W Power Delivery 充電器 (別売り) に接続して、PC に最大 85W のパススルー充電を提供します
3. USB-C ポート	5Gbps でのデータ転送に対応
4. USB-A ポート	5Gbps でのデータ転送に対応
5. HDMI ポート	最大 4K (30Hz)

KO

1. USB-C 커넥터	노트북의 USB-C 포트에 연결
2. PD 입력 포트	100W Power Delivery 충전기 (미포함) 에 연결하여 노트북에 최대 85W 패스스루 충전 제공
3. USB-C 포트	데이터 전송 속도 5Gbps
4. USB-A 포트	데이터 전송 속도 5Gbps
5. HDMI 포트	최대 4K@30Hz

簡中

1. USB-C 连接器	插入笔记本电脑的 USB-C 端口
2. PD-IN 端口	连接到 100W Power Delivery 充电器 (不附带) 为笔记本电脑提供高达 85W 的直通充电
3. USB-C 端口	5 Gbps 数据传输
4. USB-A 端口	5 Gbps 数据传输
5. HDMI 端口	高达 4K@30Hz

繁中

1. USB-C 連接器	插入筆記型電腦的 USB-C 連接埠
2. PD 輸入埠	連接 100W Power Delivery 充電器 (未隨附) 以對筆記型電腦提供高達 85W 的直通式充電。
3. USB-C 連接埠	5 Gbps 資料傳輸
4. USB-A 連接埠	5 Gbps 資料傳輸
5. HDMI 連接埠	最高 4K@30Hz

AR

1. موصل USB-C	قم بتوصيله بمنفذ USB-C بكمبيوتر محمول
2. منفذ PD-IN	قم بتوصيله بشاحن Power Delivery بقوة 100 وات (غير مضمن) لتوفير شحن يصل إلى 85 وات بتقنية الطاقة المعايير لكمبيوتر محمول
3. منفذ USB-C	نقل بيانات بسرعة 5 غيغابت/ثانية
4. منفذ USB-A	نقل بيانات بسرعة 5 غيغابت/ثانية
5. منفذ HDMI	يصل إلى 4K عند تردد 30 هرتز

For FAQs and more information, please visit:
anker.com/support



@anker_official
@anker_jp



@Anker Deutschland
@Anker Japan
@Anker



@AnkerOfficial
@Anker_JP

Specifications

DE: Technische Daten |
ES: Especificaciones |
FR: Spécifications techniques
IT: Specifiche |
PT: Especificações |
RU: Технические характеристики
TR: Teknik Özellikler |
JP: 製品の仕様 |
KO: 사양 |
简中: 规格 |
繁中: 規格
AR: المواصفات

Data Transfer Speed <div>JP: データ転送速度</div>	5 Gbps
Supported Systems <div>JP: 対応OS</div>	Windows 10 / 11, macOS 10.14 and above

Safety

DE: Sicherheit |
ES: Seguridad |
FR: Sécurité |
IT: Sicurezza |
PT: Segurança
RU: Безопасность |
TR: Güvenlik |
JP: 安全に関する注意事項 |
KO: 안전
简中: 安全性 |
繁中: 安全維護

AR: السلامة

- The maximum operating temperature is 40°C.

DE: Die maximale Betriebstemperatur beträgt 40°C.
ES: La temperatura máxima de funcionamiento es de 40°C.
FR: La température maximale de fonctionnement est de 40°C.
IT: La temperatura massima di esercizio è 40°C.
PT: A temperatura máxima de funcionamento é de 40°C.
RU: Максимальная рабочая температура — 40°C.
TR: Maksimum çalışma sıcaklığı 40 °C'dir.
JP: 本製品の最高動作温度は40°Cです。
KO: 최대 작동 온도는 40°C입니다.
简中: 最高工作温度为 40°C。 |
繁中: 操作溫度最高以 40°C 為限。
AR: درجة حرارة التشغيل القصوى هي 40 درجة مئوية.

- Do not expose to rain, moisture, or snow.

DE: Setzen Sie das Produkt nicht Regen, Feuchtigkeit oder Schnee aus.
ES: No lo exponga a la lluvia, a la humedad ni a la nieve.
FR: Ne pas exposer à la pluie ou à la neige.
IT: Non esporta a pioggia, umidità o neve.
PT: Não expor a chuva, humidade ou neve.
RU: Не подвергайте воздействию дождя, влаги и снега.
TR: Yağmura, neme veya kara maruz bırakmayın.

JP: 雨や湿気にさらさないください。
KO: 눈, 비, 습기에 노출시키지 마십시오.
简中: 不要暴露于雨、湿气或雪中。 |
繁中: 勿讓產品受潮或淋到雨雪。
AR: لا تعرضه للمطر أو الرطوبة أو الثلج.

- Use of an attachment not recommended or sold by the manufacturer may result in a risk of fire, electric shock, or personal injury.

DE: Bei Verwendung eines nicht vom Hersteller empfohlenen oder verkauften Zubehörs besteht die Gefahr von Brand, Stromschlag oder Verletzungen.
ES: Si se usa un accesorio no recomendado ni vendido por el fabricante, podría aumentar el riesgo de incendio, una descarga eléctrica o lesiones a las personas.
FR: L'utilisation d'un accessoire non recommandé ou non vendu par le fabricant peut entraîner un risque d'incendie, de choc électrique ou de blessures corporelles.
IT: L'uso di un accessorio non consigliato o venduto dal produttore può comportare il rischio di incendio, scosse elettriche o lesioni.
PT: A utilização de um acessório não recomendado ou vendido pelo fabricante pode resultar em risco de incêndio, choque elétrico ou ferimentos pessoais.
RU: Использование принадлежностей, не рекомендованных производителем или проданных не им, может привести к возгоранию, поражению электрическим током или травмам.
TR: Üretici tarafından önerilmeyen veya satılmayan bir eklentinin kullanılması yangın, elektrik çarpması veya kişisel yaralanmalara neden olabilir.
JP: 製造元により販売もしくは推奨されていない製品 (充電器など) を使用した場合、火事や怪我につながる恐れがあります。
KO: 제조업체에서 권장하거나 판매하지 않는 부속 장치를 사용하면 화재, 감전 또는 부상의 위험이 있습니다.
简中: 使用非制造商推荐或销售的附件可能会导致火灾、触电或人员受伤风险。
繁中: 使用非製造商所建議或銷售的附屬裝置可能會導致火災危險、觸電事故或人身傷害。

AR: قد يؤدي استخدام أحد الملحقات غير الموصى بها أو غير المُباعة من قِبل الشركة المصنعة إلى خطر نشوب حريق أو حدوث صدمة كهربائية أو وقوع إصابة شخصية.

HDMI™

HIGH-DEFINITION MULTIMEDIA INTERFACE

The Adopted Trademarks HDMI, HDMI High-Definition Multimedia Interface, and the HDMI Logo are trademarks or registered trademarks of HDMI Licensing Administrator, Inc. in the United States and other countries.

FCC Statement

This device complies with Part 15 of the FCC Rules. Operation is subject to the following two conditions:
(1) This device may not cause harmful interference, and
(2) This device must accept any interference received, including interference that may cause undesired operation.

Warning: Changes or modifications not expressly approved by the party responsible for compliance could void the user’s authority to operate the equipment.

Note: This equipment has been tested and found to comply with the limits for a Class B digital device, pursuant to Part 15 of the FCC Rules. These limits are designed to provide reasonable protection against harmful interference in a residential installation.

This equipment generates, uses, and can radiate radio frequency energy and, if not installed and used in accordance with the instructions, may cause harmful interference to radio communications. However, there is no guarantee that interference will not occur in a particular installation. If this equipment does cause harmful interference to radio or television reception, which can be determined by turning the equipment off and on, the user is encouraged to try to correct the interference by one or more of the following measures:

- Reorient or relocate the receiving antenna.
- Increase the separation between the equipment and receiver.
- Connect the equipment into an outlet on a circuit different from that to which the receiver is connected.
- Consult the dealer or an experienced radio/TV technician for help.

The following importer is the responsible party:
Company Name: Fantasia Trading LLC
Address: 5350 Ontario Mills Pkwy, Suite 100, Ontario, CA 91764
Telephone: 1-800-988-7973

IC Statement

This device complies with Industry Canada license-ICES-003. Operation is subject to the following two conditions: (1) This device may not cause interference, and (2) This device must accept any interference, including interference that may cause undesired operation of the device.

Le présent appareil est conforme aux CNR d’Industrie Canada applicables aux appareils

radio exempts de licence. L’exploitation est autorisée aux deux conditions suivantes:
(1) l’appareil ne doit pas produire de brouillage, et (2) l’utilisateur de l’appareil doit accepter tout brouillage radioélectrique subi, même si le brouillage est susceptible d’en compromettre le fonctionnement.
This digital apparatus complies with CAN ICES-003(B)/NMB-003(B).

Declaration of Conformity

Hereby, Anker Innovations Limited declares that the product type A8355 is in compliance with Directive 2014/30 /EU & 2011/65/EU. The full text of the EU declaration of conformity is available at the following internet address: https://www.anker.com
Anker Innovations Limited |
Room 1318-19, Hollywood Plaza, 610 Nathan Road, Mongkok, Kowloon, Hong Kong
The following importer is the responsible party (for EU matters only):
Anker Innovations Deutschland GmbH |
Georg-Muche-Strasse 3, 80807 Munich, Germany

DE: Konformitätserklärung

Anker Innovations Limited erklärt hiermit, dass Produkttyp A8355 die Richtlinien 2014/30/EU und 2011/65/EU erfüllt. Der vollständige Text der EU-Konformitätserklärung ist unter der folgenden Internetadresse verfügbar: https://www.anker.com

ES: Declaración de conformidad

Por la presente, Anker Innovations Limited declara que este producto de tipo A8355 cumple con las Directivas 2014/30/UE y 2011/65/UE. El texto completo de la declaración UE de conformidad está disponible en la siguiente dirección de Internet: https://www.anker.com

FR: Déclaration de conformité

Par la présente, Anker Innovations Limited déclare que ce produit de type A8355 est conforme aux Directives 2014/30/UE et 2011/65/EU. Le texte intégral de la déclaration de conformité pour l’UE est disponible à l’adresse suivante : https://www.anker.com

IT: Dichiarazione di conformità

Con la presente, Anker Innovations Limited dichiara che il tipo di prodotto A8355 è conforme alle Direttive 2014/30/UE e 2011/65/EU. Il testo completo della dichiarazione di conformità UE è disponibile al seguente indirizzo Internet: https://www.anker.com

GB Declaration of Conformity

Hereby, Anker Innovations Limited declares that the product type A8355 is in compliance with the following Directives: The Restriction of the Use of Certain Hazardous Substances in Electrical and Electronic Equipment Regulations 2012 & Electromagnetic Compatibility Regulations 2016.
The full text of the GB declaration of conformity is available at the following internet address: https://www.anker.com
The following importer is the responsible party (for UK matters only):
Anker Technology (UK) Ltd
Suite B, Fairgate House, 205 Kings Road, Tyseley, Birmingham, B11 2AA, United Kingdom



This symbol indicates that this product shall not be treated as household waste. Instead it shall be handed over to the applicable collection point for the recycling of electrical and electronic equipment.

DE: Dieses Symbol bedeutet, dass das Produkt nicht als Hausmüll entsorgt werden darf. Stattdessen ist es an der jeweiligen Sammelstelle für das Recycling von Elektro- und Elektronikgeräten abzugeben.

ES: Este símbolo indica que el producto no puede desecharse junto con los residuos domésticos. En su lugar, debe llevarse a un punto de recogida adecuado para el reciclaje de aparatos eléctricos y electrónicos.

FR: Ce symbole indique que ce produit ne doit pas être traité comme un déchet ménager. Il doit plutôt être remis au point de collecte approprié pour le recyclage des équipements électriques et électroniques.

IT: Questo simbolo indica che il presente prodotto non deve essere trattato come rifiuto domestico. Deve invece essere consegnato al punto di raccolta applicabile per il riciclaggio di apparecchiature elettriche ed elettroniche.

Customer Service

DE: Kundenservice |
ES: Atención al Cliente |
FR: Service Client
IT: Servizio Clienti |
PT: Serviço de Apoio ao Clien
RU: Обслуживание клиентов |
TR: Müşteri Hizmetleri
JP: カスタマーサポート |
KO: 고객 서비스
简中: 客服支持 |
繁中: 客戶服務

AR: خدمة العملاء	
18-Month Limited Warranty* DE: 18 Monate beschränkte Herstellergarantie* ES: Garantía limitada de 18 meses* FR: Garantie de 18 mois* IT: Garanzia valida 18 mesi* PT: 18 meses de garantia limitada RU: Ограниченная гарантия на 18 месяцев TR: 18 aylık sınırlı garanti JP: 通常保証18ヶ月 (延長あり) KO: 18개월의 제한 보증이 적용됩니다 简中: 18个月质保期 繁中: 18個月有限保固	AR: ضمانة 18 شهراً محدودة

Lifetime Technical Support DE: Lebenslanger technischer Support ES: Asistencia técnica de por vida FR: Support technique à vie IT: Assistenza post-vendita a vita PT: Suporte técnico ao longo da vida útil do produto RU: Техническая поддержка на весь срок эксплуатации TR: Ömür Boyu Teknik Destek Hizmeti JP: テクニカルサポート KO: 기술 지원이 평생 제공됩니다 简中: 终身客服支持 繁中: 永久技術支援	AR: الدعم الفني مدى الحياة
✉ support@anker.com support.mea@anker.com (For Middle East and Africa Only)	
☎ (US) +1 (800)988 7973 Mon-Fri 6:15AM - 5:00PM(PT) (UK) +44 (0) 1604 936200 Mon-Fri 6:00-17:00; Sat-Sun 6:00-14:00 (DE) +49 (0) 69 9579 7960 Mo-Fr 6:00 - 11:00 (Middle East & Africa) +971 42428633 Mon-Fri 9:00 - 17:30 (UAE) +971 8000320817 Mon-Fri 9:00 - 17:30 (KSA)+966 8008500030 Mon-Fri 8:00 - 16:30 (Kuwait) +965 22069086 Mon-Fri 9:00 - 17:30 (Egypt) +20 8000000826 Mon-Fri 7:00 - 15:30 (AU) +61 3 8331 4800 Mon-Fri 8:30 - 17:00 (AEST) (TR) +90 (850) 460 14 14 Mon-Fri 9:00 - 18:00 (RU) +8 (800) 511-86-23 Mon-Fri 9:00 - 18:00 (MSK) (中國) +86 400 0550 036 周一至周五 9:00 - 17:30 (日本) 03 4455 7823 月-金 9:00 - 17:00 (한국) +82 02-1670-7098 월-금 10:00 - 17: 00	

- EN:** Please note that your rights under applicable law governing the sale of consumer goods remain unaffected by the warranties given in this Limited Warranty.
- DE:** Die gesetzlichen Gewährleistungspflichten bleiben von der beschränkten Herstellergarantie unberührt.
- FR:** Notez que vos droits dans le cadre de la législation régissant la vente de biens de consommation ne sont pas affectés par les garanties accordées dans cette garantie limitée.
- ES:** Tenga en cuenta que los derechos que le conceden las leyes aplicables que rigen la venta de bienes de consumo no se ven afectados por las garantías que proporciona esta garantía limitada.
- IT:** Si prega di notare che i diritti del cliente ai sensi della legge applicabile in materia di vendita di beni di consumo non sono influenzati dalle garanzie concesse dalla presente Garanzia limitata.